

May 16, 2018

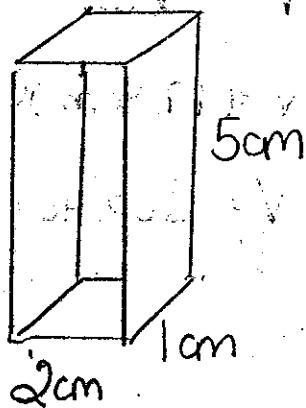
Volume

- units are cubed

- cm^3 , mm^3 , m^3 , cubed inches (cubic) " , cubed feet (cubic)'

ex. $\text{mm} \times \text{mm} \times \text{mm} = \text{mm}^3$

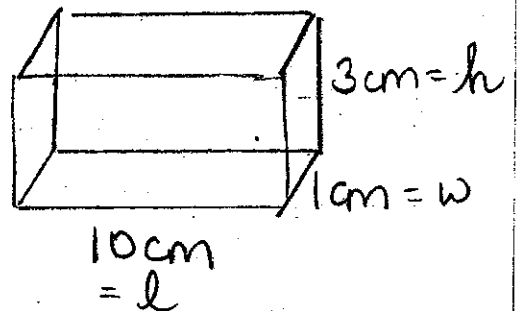
ex.



$$V = lwh$$

$$V = (2\text{cm})(1\text{cm})(5\text{cm})$$

$$V = 10\text{cm}^3$$

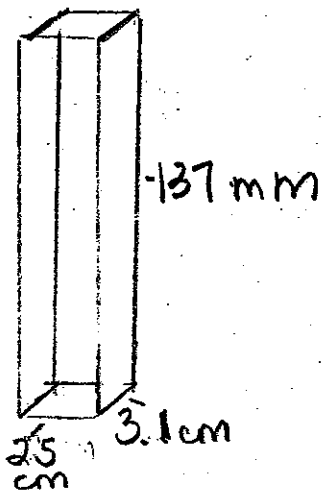
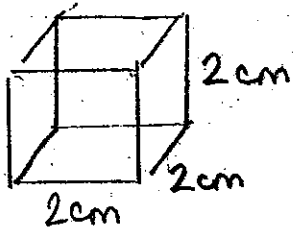
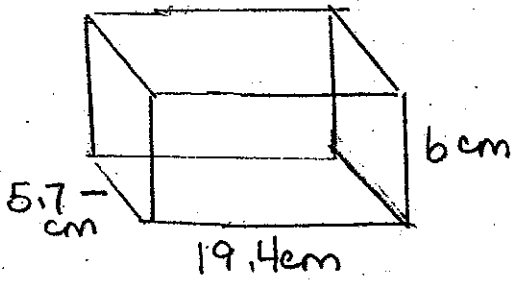
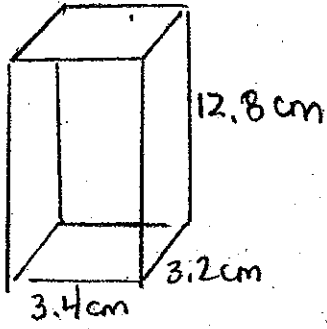


$$V = lwh$$

$$V = (10\text{cm})(1\text{cm})(3\text{cm})$$

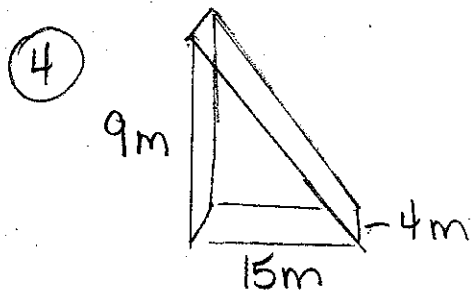
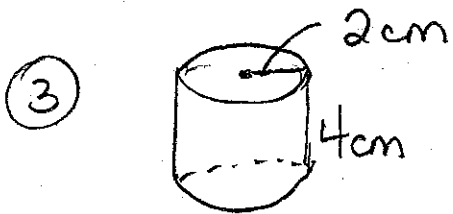
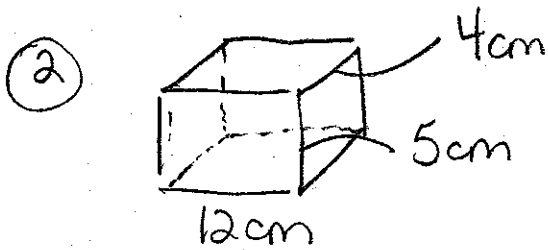
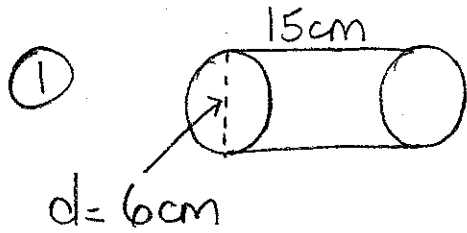
$$V = 30\text{cm}^3$$

hwk. →

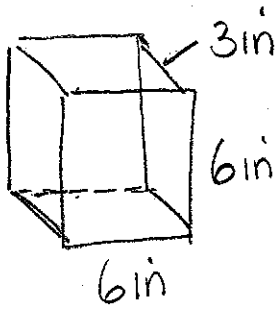


Volume Assignment

May 17, 2018



5



6

